

Helwig Carbon Bearing Protector Kit BPK-AM Brush Holder Installation Instructions



ISO 9001 Certified

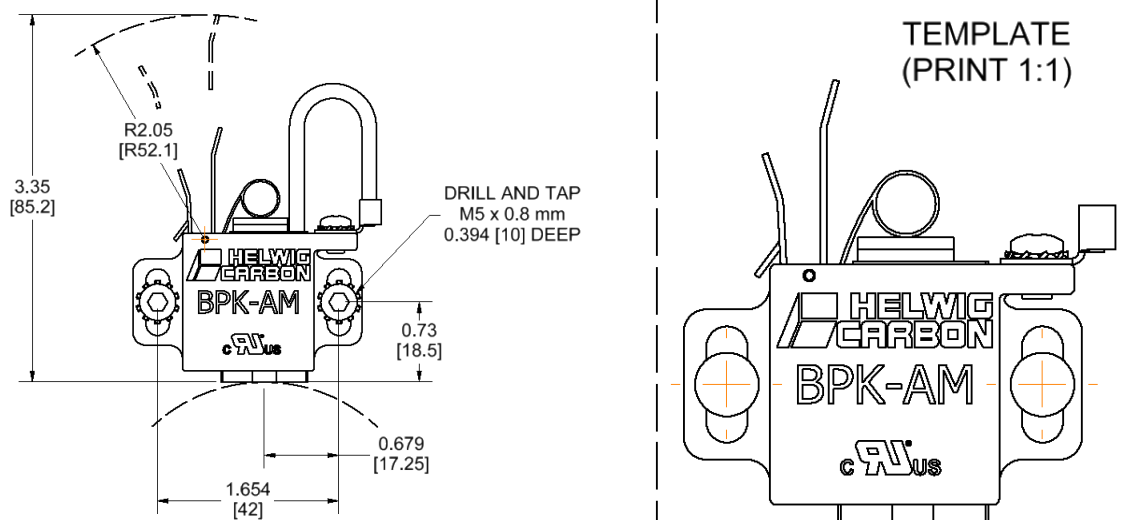
Helwig's BPK-AM Bearing Protection Kit is UL Recognized Component for both U.S. and Canada

Helwig Carbon Products, Inc. Bearing Protector Kits are designed to be installed using two threaded bolts (Option 1) or 3M™ Dual Lock™ (Option 2) or 3M™ VHB™ Tape (Option 3).

We recommend the brush ride perpendicular to the shaft. The track in which the brush rides on the shaft should be free of scratches, nicks, dents or defects of any kind. Ideally the shaft surface should be clean with a surface finish between 32 and 63 RMS. Do not use any external lubrication. The brush will supply its own lubrication.

Option 1

The BPK-AM uses two 5 mm bolts (M5x0.8) threaded bolts. The holders should be mounted 0.090" to 0.125" (2.3 mm to 3.2 mm) from the shaft. Mounting dimensions are given in the diagram below.



1. Drill and tap according to diagram above.
2. Attach the holder to the unit using two M5x0.8 screws.
3. Pinch and lift the spring assembly to expose the brush pocket.
4. Install the brush into holder.
5. Replace the spring assembly and **be sure it is locked into place.**
6. **Connect** the shunt wire terminal to the holder.

Caution: When mounting Helwig Carbon Products, Inc. Bearing Protector Kits using 3M™ Dual Lock™ OR 3M™ VHB™ Tape **make sure the separate ground strap, which is supplied with kit, is secured to ground.** Avoid painted surfaces while securing ground connection. The 3M™ Dual Lock™ or 3M™ VHB™ supplied with the holders will not conduct current.

See manufacturer's recommendations for attachment

1. Dual Lock™ - <https://multimedia.3m.com/mws/media/4352650/dual-locktm-reclosable-fasteners-att-pres-sens-adh-or-heat-bnd.pdf>
2. VHB Tape™ - <https://multimedia.3m.com/mws/media/660190/vhbtm-tape-surface-preparation-technical-bulletin.pdf>

Visit us on the internet at <http://www.helwigcarbon.com>
8900 West Tower Avenue – Milwaukee, Wisconsin 53224-2849
PH: 800-962-4851

Page: 1

Fax: 800-365-3113
Rev: 04022021

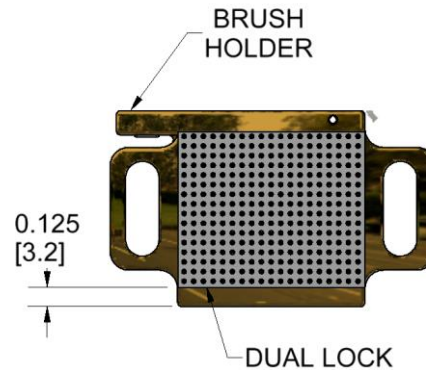
Helwig Carbon Bearing Protector Kit BPK-AM Brush Holder Installation Instructions



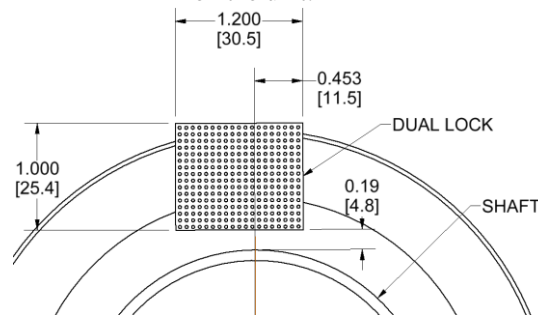
ISO 9001 Certified

Option 2 Dual Lock

1. **Remove** liner from adhesive and place 3M™ Dual Lock™ onto **Brush Holder**.



2. **Position** the brush holder so that the brush is perpendicular to the shaft and the bottom of the brush holder is 0.090" to 0.125" (2.3 mm to 3.2 mm) from the shaft.
3. **Mark** the position of the 3M™ Dual Lock™ on the unit.



4. **Remove** liner from adhesive and place 3M™ Dual Lock™ onto unit.
5. **Push holder** onto unit. Make sure 3M™ Dual Lock™ is securely fastened.
6. Pinch and lift the spring assembly to expose the brush pocket.
7. Install the brush into holder.
8. Replace the spring assembly and **be sure it is locked into place**.
9. **Connect** one end of the supplied ground strap to the brush holder and the other end to ground.

Helwig Carbon Bearing Protector Kit BPK-AM Brush Holder Installation Instructions



ISO 9001 Certified

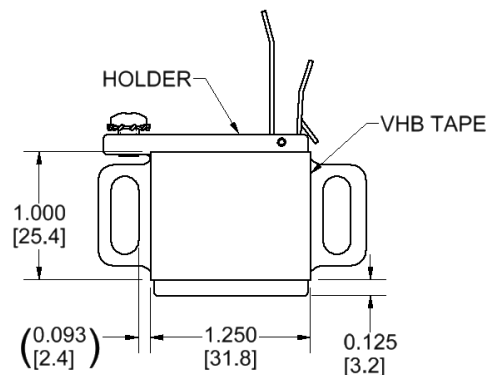


Connect to
Ground

Figure 1

Option 3 VHB Tape

1. **Remove** liner from adhesive and place 3M™ VHB Tape™ onto **Brush Holder**.



2. **Position** the brush holder so that the brush is perpendicular to the shaft and the bottom of the brush holder is 0.090" to 0.125" (2.3 mm to 3.2 mm) from the shaft.
3. **Push holder** onto unit. Make sure 3M™ VHB Tape™ is securely fastened.
4. Pinch and lift the spring assembly to expose the brush pocket.
5. Install the brush into holder.
6. Replace the spring assembly and **be sure it is locked into place**.
7. **Connect** one end of the supplied ground strap to the brush holder and the other end to ground. (Figure 1)